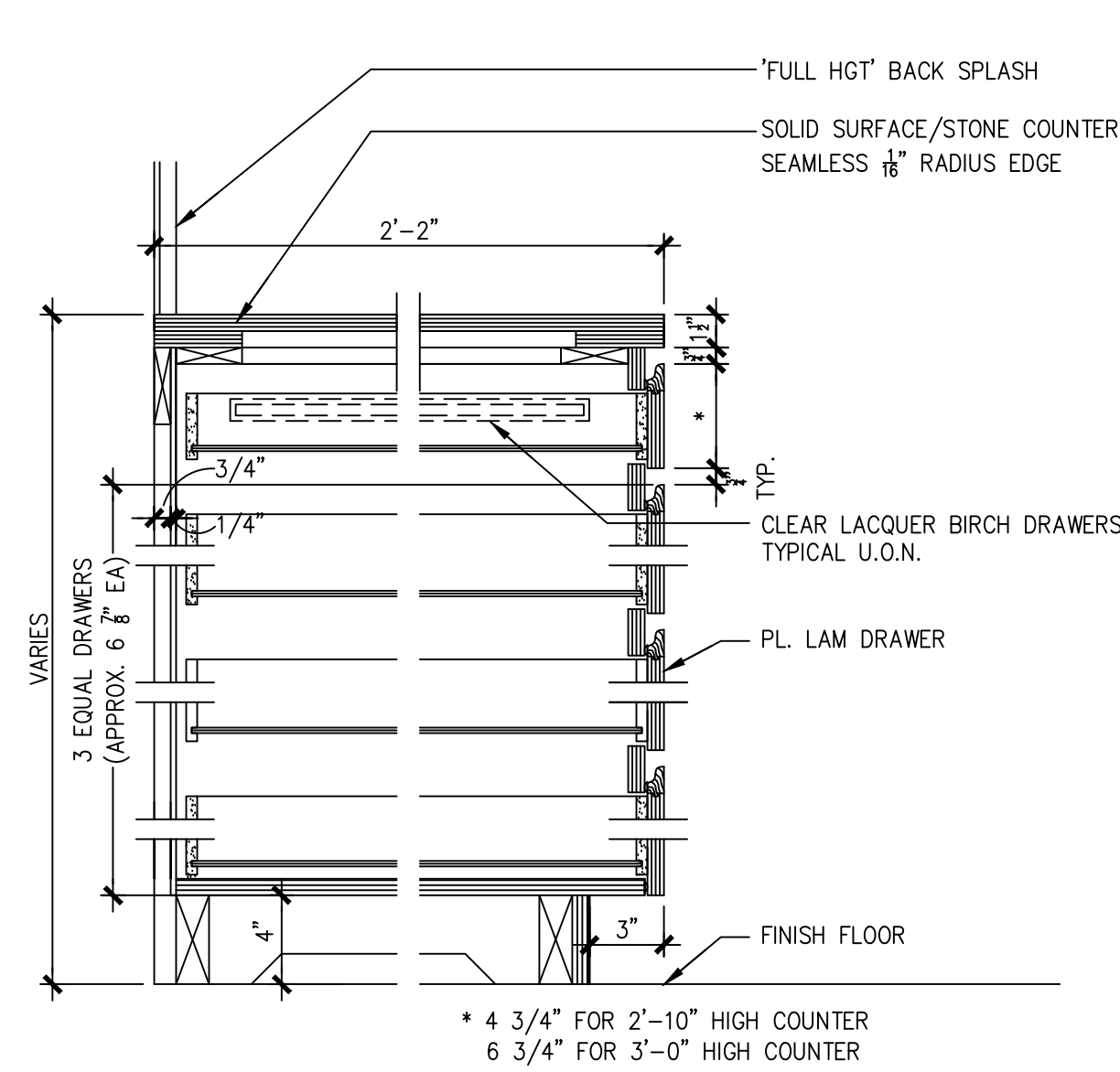
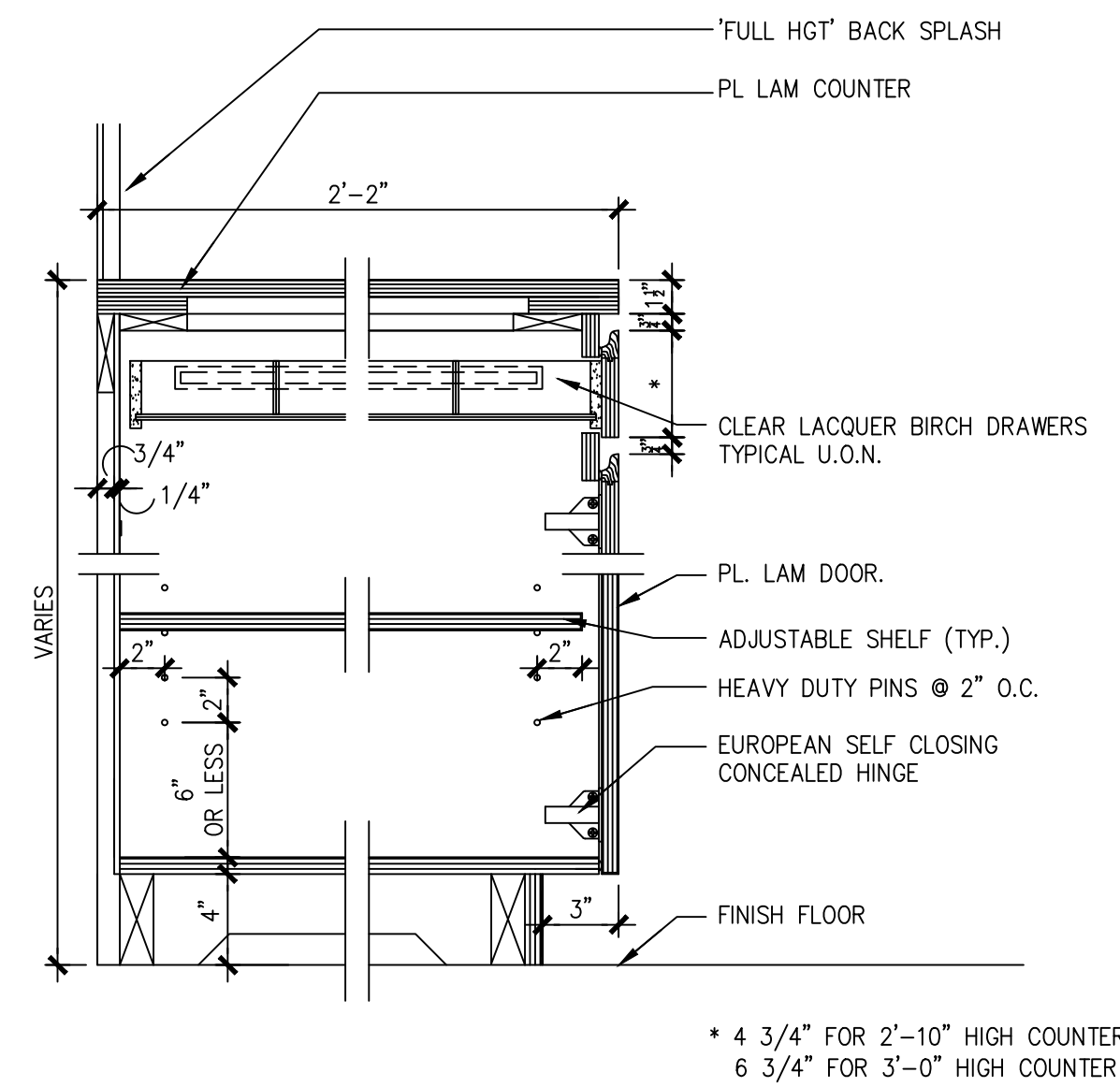


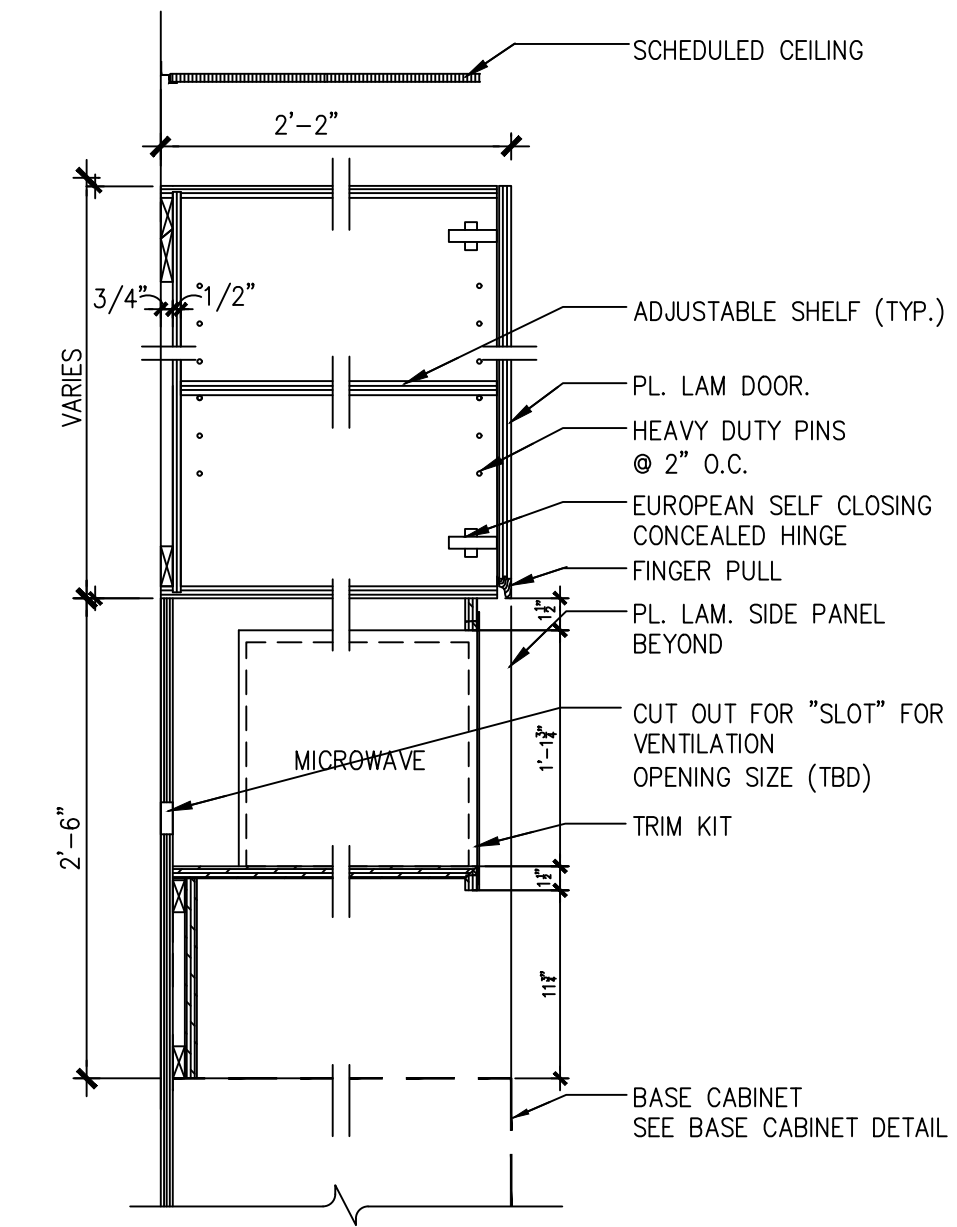
COUNTER DETAIL 10
SCALE: 1 1/2" = 1'-0"



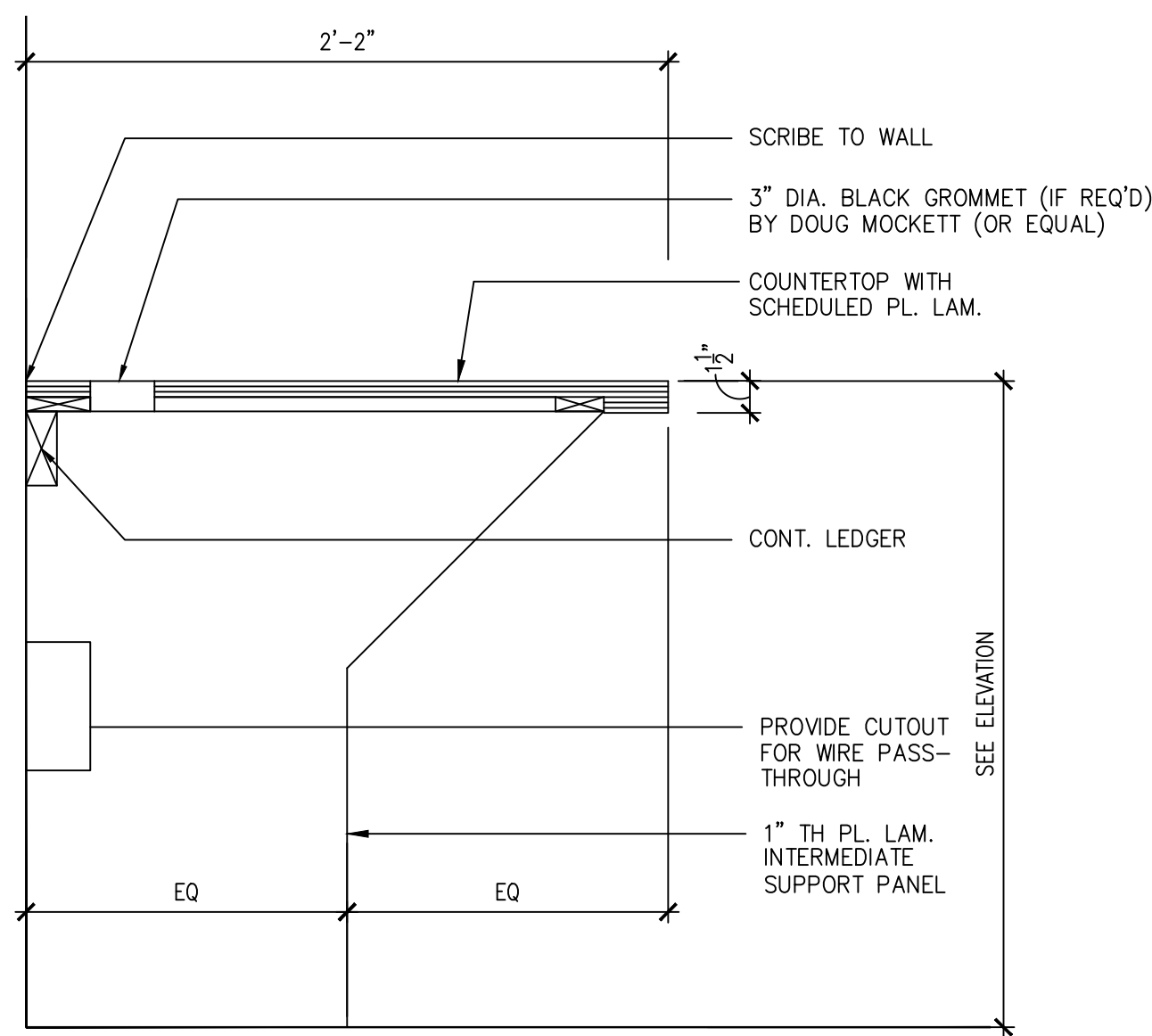
BASE CABINET DETAIL - DRAWERS 7
SCALE: 1 1/2" = 1'-0"



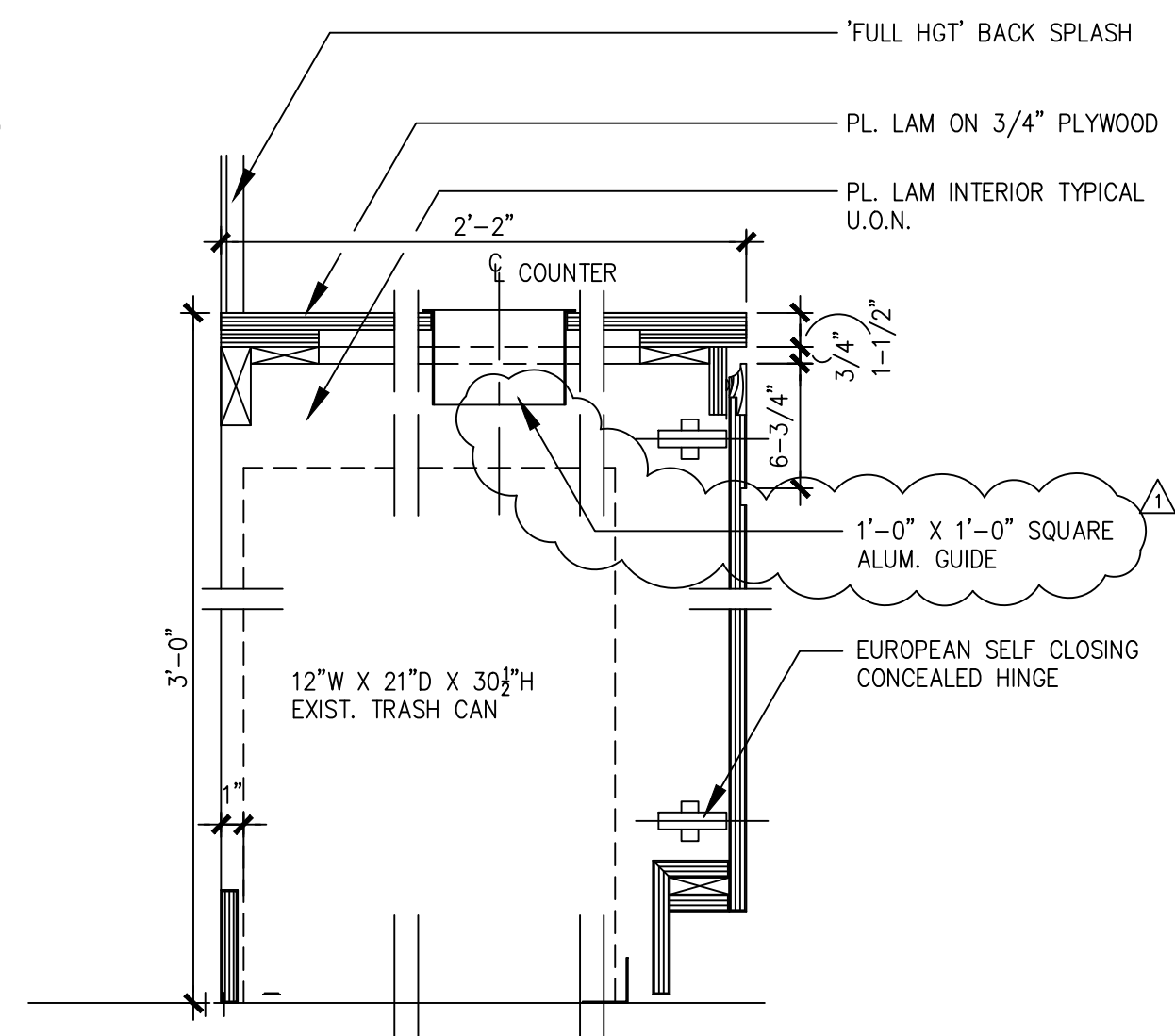
BASE CABINET DETAIL 4
SCALE: 1 1/2" = 1'-0"



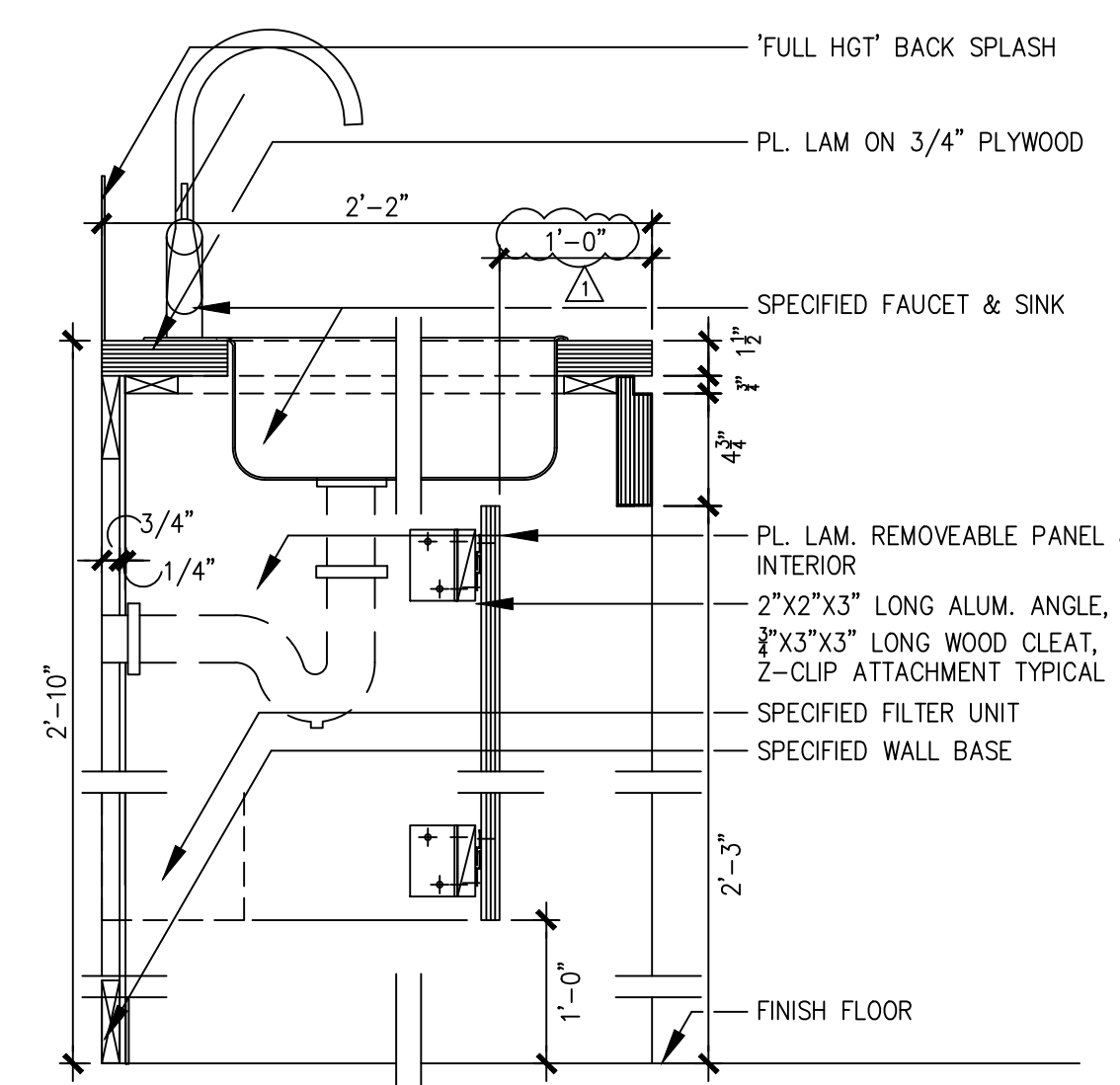
WALL CABINET DETAIL 1
SCALE: 1" = 1'-0"



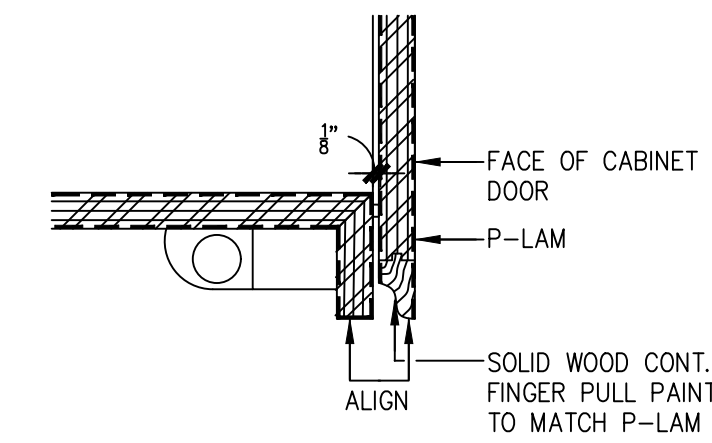
COUNTER DETAIL 11
SCALE: 1 1/2" = 1'-0"



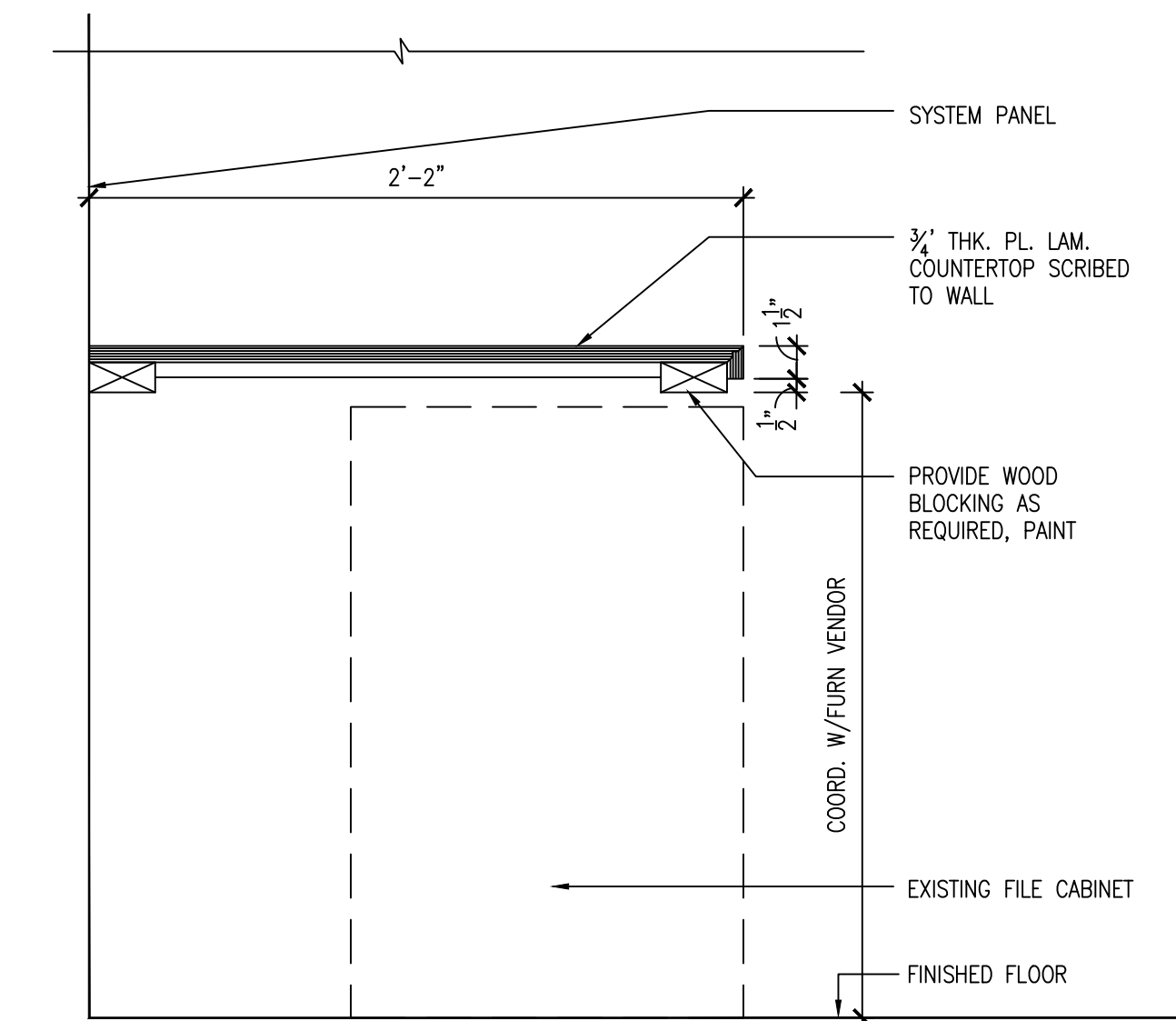
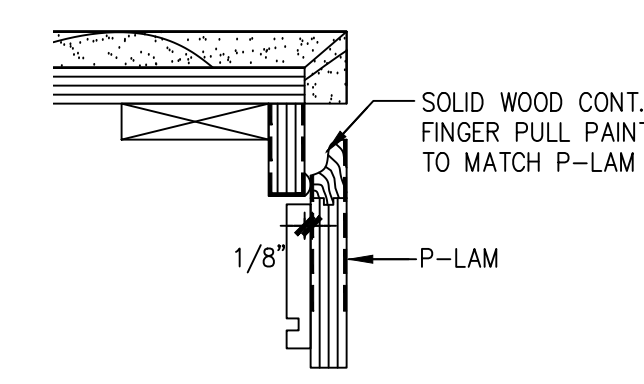
BASE CABINET DETAIL - TRASH 8
SCALE: 1 1/2" = 1'-0"



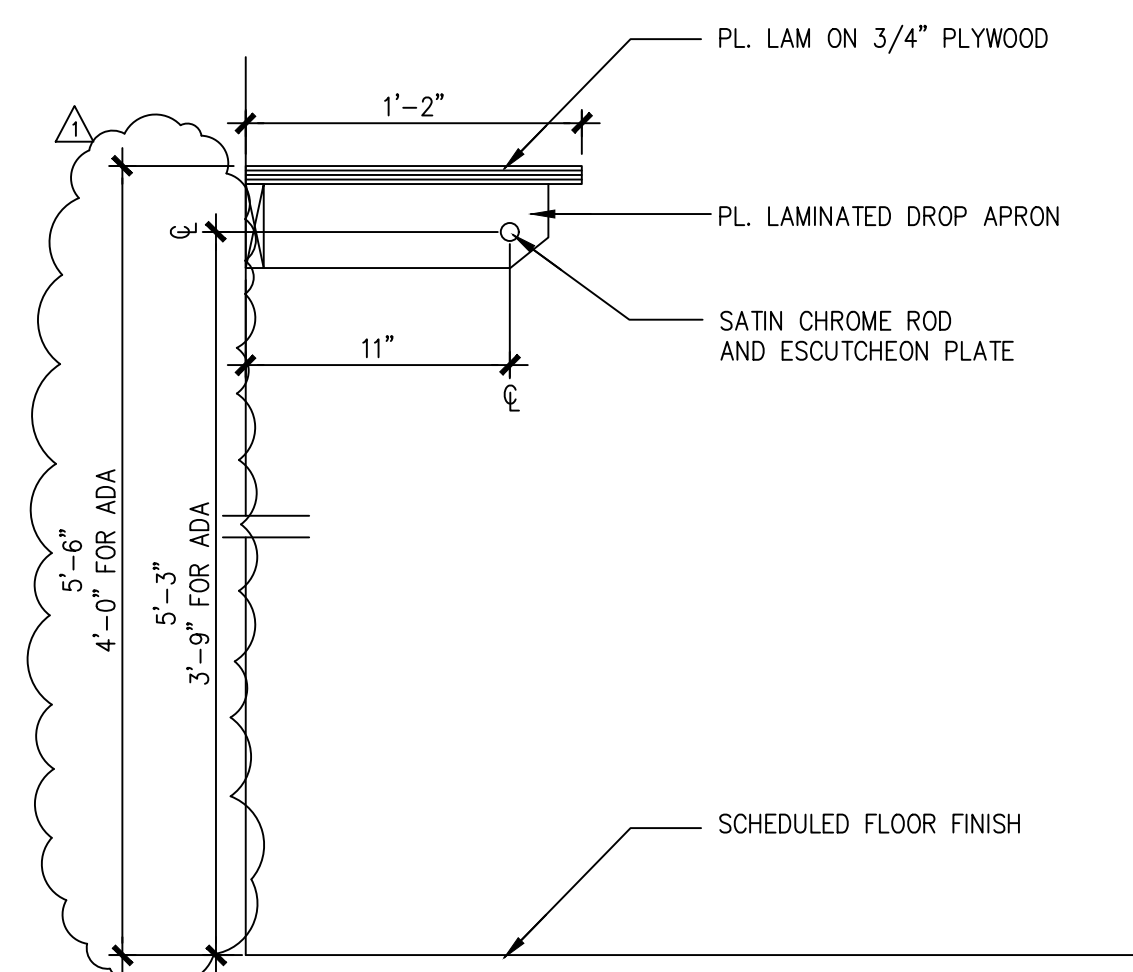
COUNTER DETAIL - SINK 5
SCALE: 1 1/2" = 1'-0"



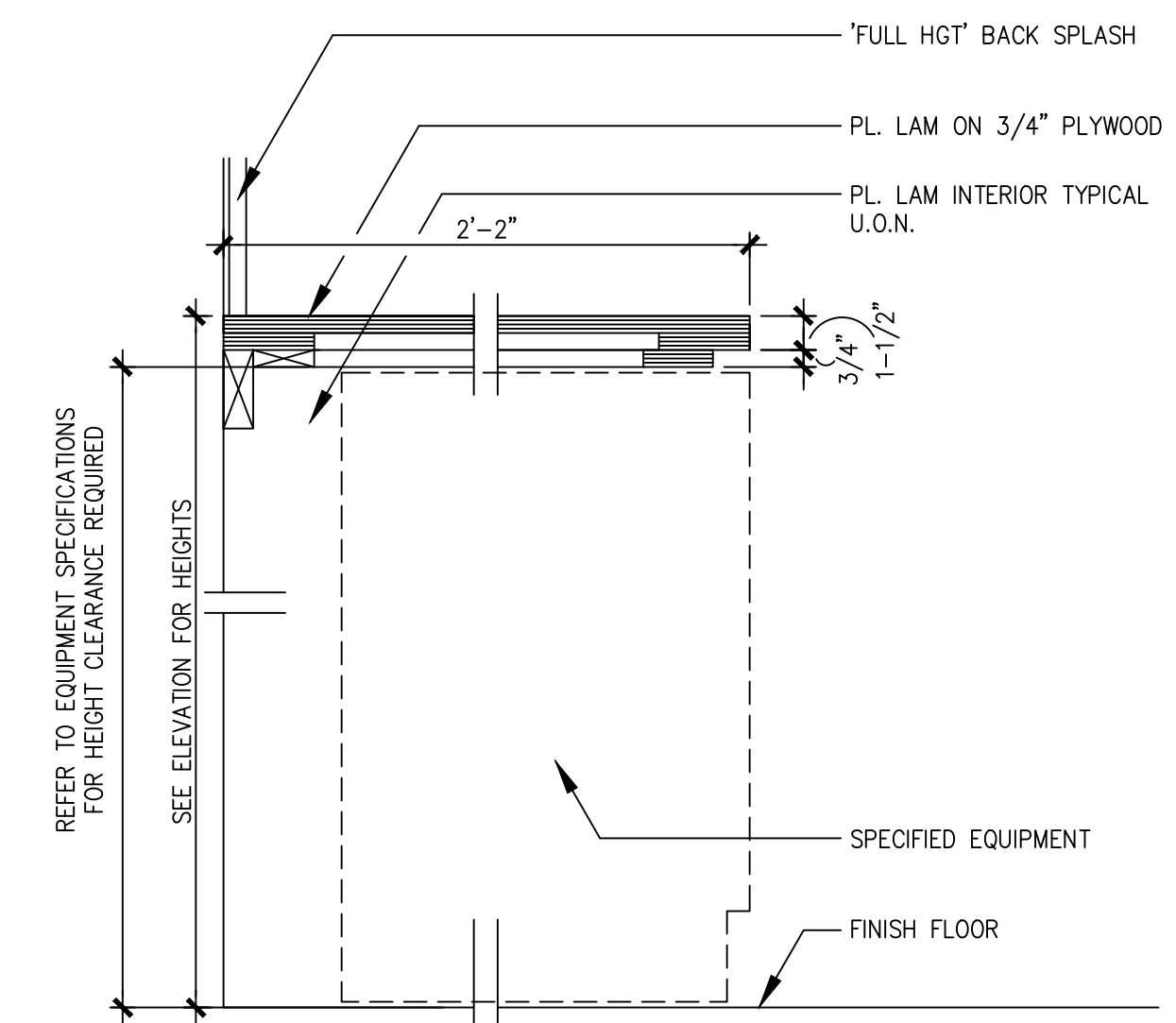
FINGER PULL DETAIL 2
SCALE: 3" = 1'-0"



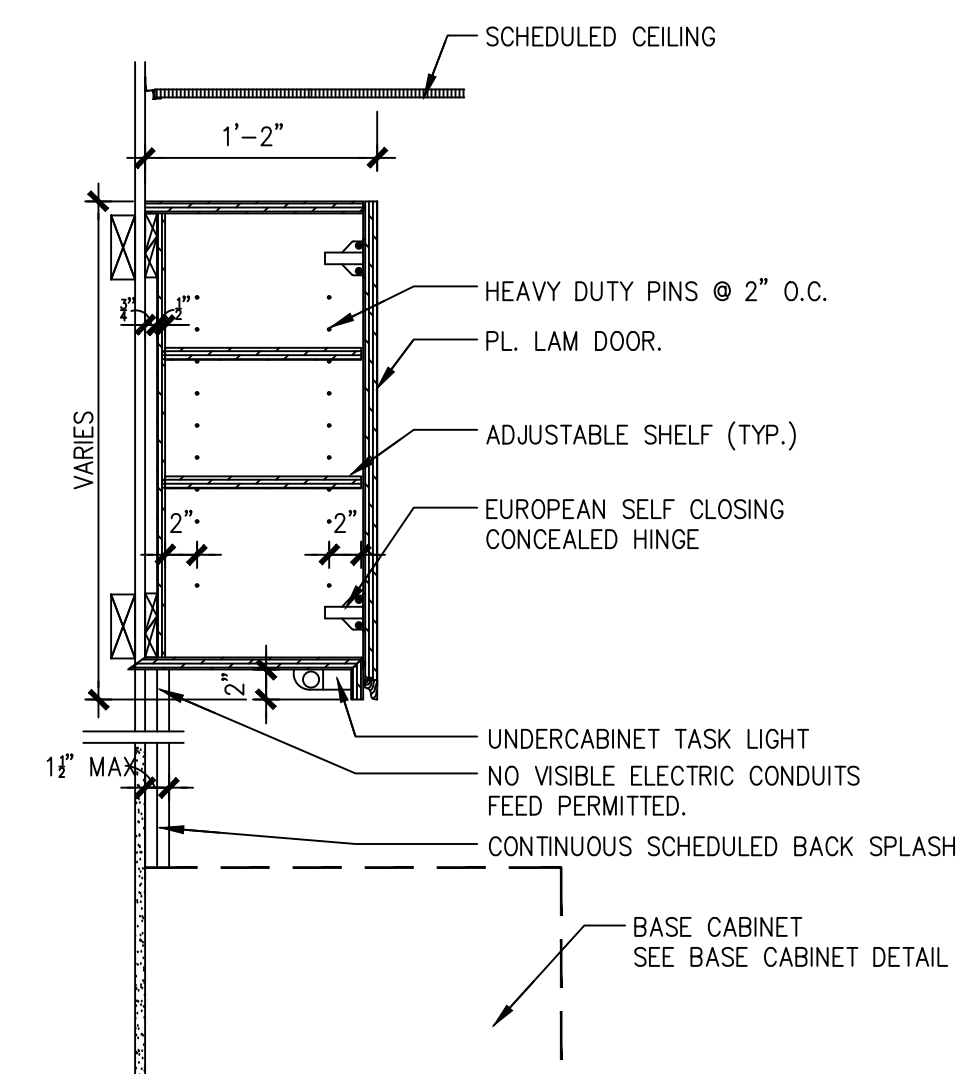
COUNTER DETAIL 12
SCALE: 1" = 1'-0"



TYP. CLOSET DETAIL 9
SCALE: 1 1/2" = 1'-0"



COUNTER DETAIL 6
SCALE: 1 1/2" = 1'-0"



WALL CABINET DETAIL 3
SCALE: 1" = 1'-0"